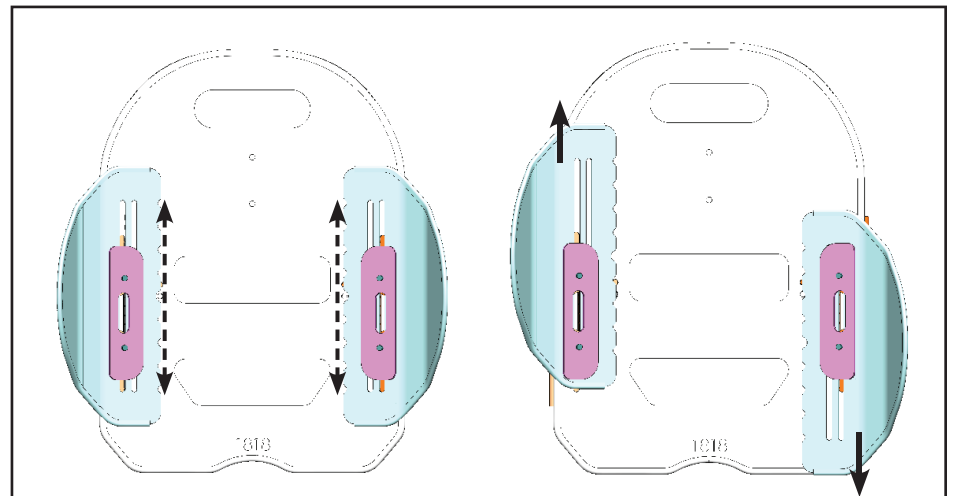
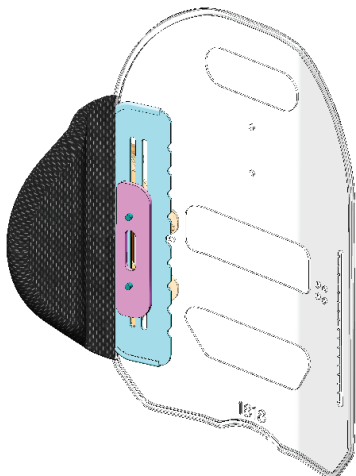
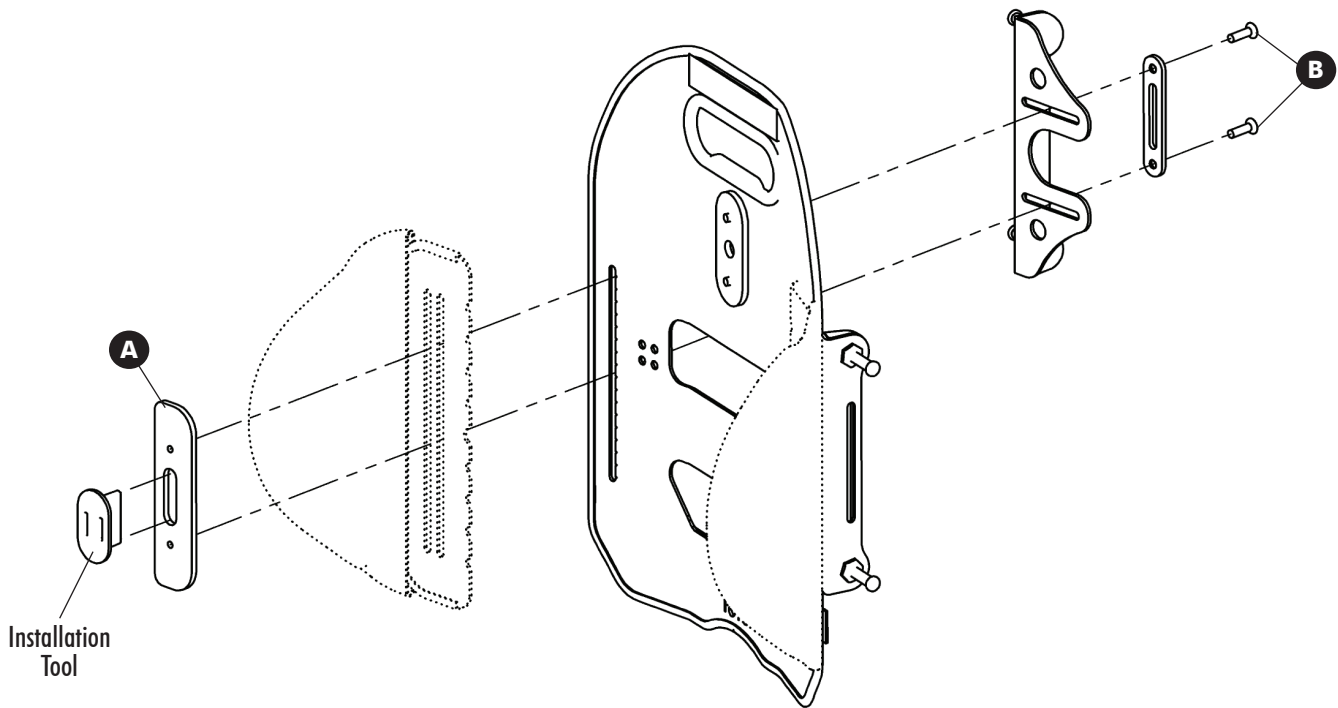
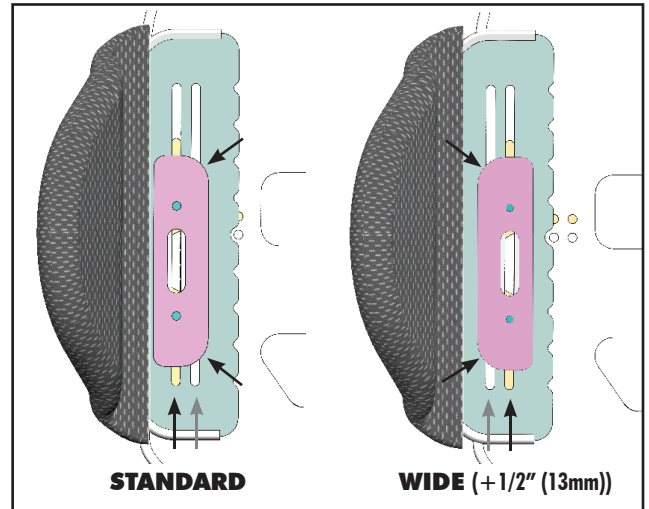
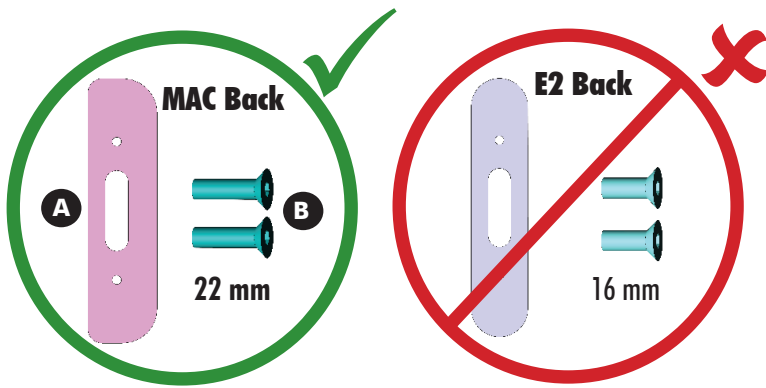
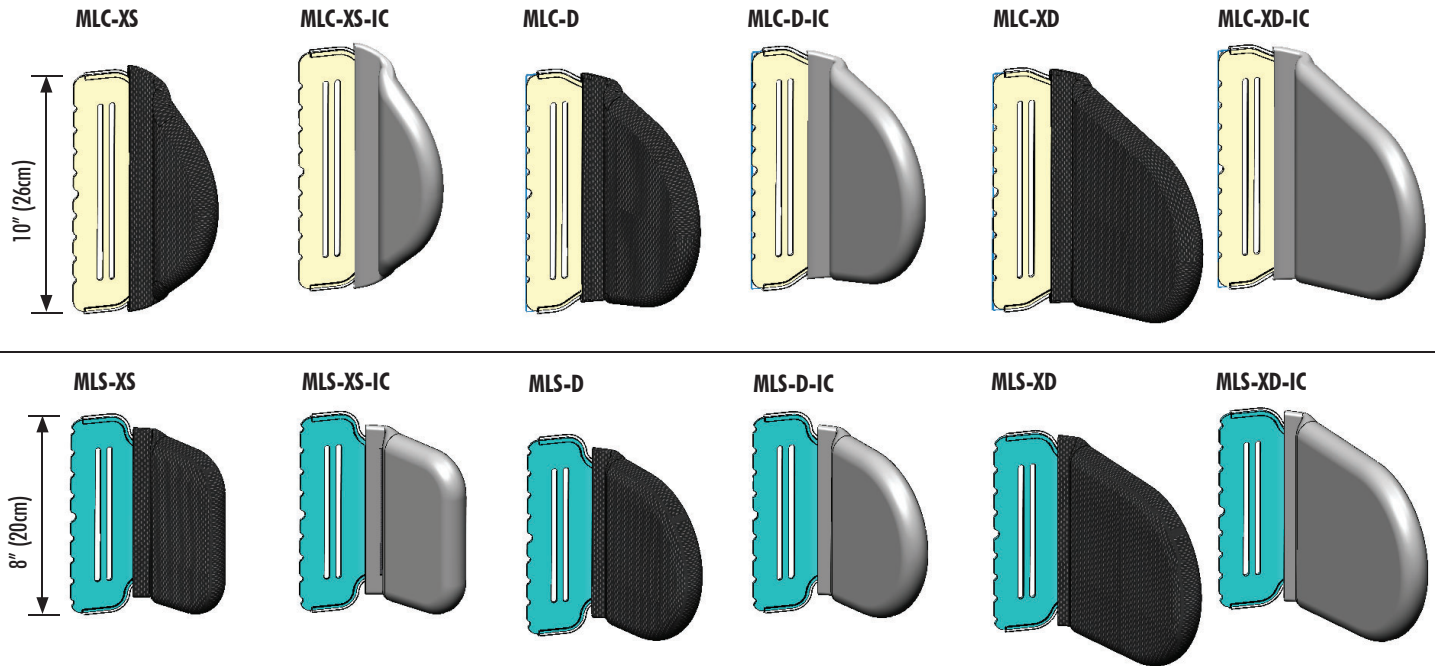


# Matrix MAC Back: Contour Lateral Support Installation & Set-Up



# MAC Contour Lateral Support Options:



**-IC = Infection Control**



## IMPORTER:

France:  
Invacare France Operations SAS  
Route de St Roch  
F-37230 Fondettes  
Tel: (33) (0)2 47 62 64 66  
contactfr@invacare.com; www.invacare.fr

United Kingdom:  
Invacare Limited  
Pencoed Technology Park,  
Pencoed Bridgend CF35 5AQ  
Tel: (44) (0) 1656 776 200  
uk@invacare.com; www.invacare.co.uk

Schweiz / Suisse / Svizzera:  
Invacare International GmbH  
Neuhofweg 51,  
CH-4147 Aesch BL  
Tel: (41) (0)61 487 70 80  
switzerland@invacare.com; www.invacare.ch



## DISTRIBUTOR:

Belgium & Luxembourg:  
Invacare nv  
Autobaan 22  
B-8210 Loppem  
Tel: (32) (0)50 83 10 10  
marketingbelgium@invacare.com  
www.invacare.be

Danmark:  
Invacare A/S  
Sdr. Ringvej 37  
DK-2605 Brøndby  
Tel: (45) (0)36 90 00 00  
denmark@invacare.com; www.invacare.dk

Deutschland:  
Invacare GmbH  
Am Achener Hof 8  
D-88316 Isny  
Tel: (49) (0)7562 700 0  
kontakt@invacare.com; www.invacare.de

España:  
Invacare S.A.U.  
Avenida del Oeste, 50-50 - 1º-1a  
Valencia-46001  
Tel: (34) 972 493 214  
contactsp@invacare.com; www.invacare.es

France:  
Invacare Poirier SAS  
Route de St Roch  
F-37230 Fondettes  
Tel: (33) (0)2 47 62 64 66  
contactfr@invacare.com; www.invacare.fr

Italia:  
Invacare Mecc San s.r.l.,  
Via Marco Corner, 19,  
I-36016 Thiene (VI)  
Tel: (39) 0445 38 00 59  
italia@invacare.com; www.invacare.it

Nederland:  
Invacare BV  
Galvanistraat 14-3  
NL-6716 AE Ede  
Tel: (31) (0)318 695 757  
nederland@invacare.com; www.invacare.nl

Norge:  
Besøksadresse: (Office addresses)  
Invacare AS  
Brynsveien 16  
0667 Oslo  
Tel: (47) 22 57 95 00  
teknisk@invacare.com; www.invacare.no

Österreich:  
Invacare Austria GmbH  
Herzog-Odilo-Strasse 101  
A-5310 Mondsee  
Tel: (43) 6232 5535 0  
info-austria@invacare.com; www.invacare.at

Portugal:  
Invacare Portugal II Lda.  
Rua Estrada Velha 949  
P.4465-784 Leça do Balio  
Tel: (351) (0)225 1059 46/47  
portugal@invacare.com; www.invacare.pt

Schweiz / Suisse / Svizzera:  
Invacare AG  
Neuhofweg 51,  
CH-4147 Aesch BL  
Tel: (41) (0)61 487 70 80  
switzerland@invacare.com; www.invacare.ch

Sverige:  
Invacare AB  
Fagerstogatan 9  
S-163 53 Spånånga  
Tel: (46) (0)8 761 70 90  
sweden@invacare.com; www.invacare.se

Suomi:  
Camp Mobility  
Patamäenkatu 5, 33900 Tampere  
Puhelin 09-35076310  
info@campmobility.fi; www.campmobility.fi

United Kingdom & Ireland  
Invacare Limited  
Pencoed Technology Park, Pencoed  
Bridgend CF35 5AQ  
Tel: (44) (0) 1656 776 200  
uk@invacare.com; www.invacare.co.uk

USA:  
Invacare America  
Elyria, Ohio,  
USA 44036-2125  
Tol Free: (1) 800 333 6900  
www.invacare.com

Motion Concepts USA:  
700 Ensminger Rd. Suite 112  
Tonawanda, NY 14150  
Tol Free: (1) 888.433.6818  
www.motionconcepts.com



**CH REP**

Invacare International GmbH  
Neuhofweg 51, CH-4147 Aesch BL,  
Switzerland

**EU REP**

Advena Ltd.  
Tower Business Center, 2nd Flr.,  
Tower Street, Swatar, BKR 4013 Malta



Motion Concepts  
505 Cityview Blvd, Unit 1  
Vaughan, Ontario, L4H 0L8, Canada  
Tol Free: (1) 866.748.7943  
Tel: (1) 905.695.0134  
www.motionconcepts.com



TRD0750 Rev A 03/26